

OPERA Inc.

6000 Series GAS DETECTOR

DATA SHEET

A versatile, self-contained dual gas sensor that is network ready for either peer-to-peer (master slave) operation or central control.

APPLICATIONS:

- Vehicle Emissions
- Combustible Gases
- Refrigeration Gas Leak Detection
- Industrial Health and Safety

FEATURES:

- Stand-alone operation with 1 or 2 adjustable alarm relays, indicators and strobe
- BTL listed Smart Sensor
- BACnet MS/TP RS485 interface
- CAN network interface for master-slave operation or central control
- Pre-calibrated plug-and-play sensor modules
- Impact resistant water resistant enclosure.



Member of
BACnet
International 

DATA SHEET

6000 Series

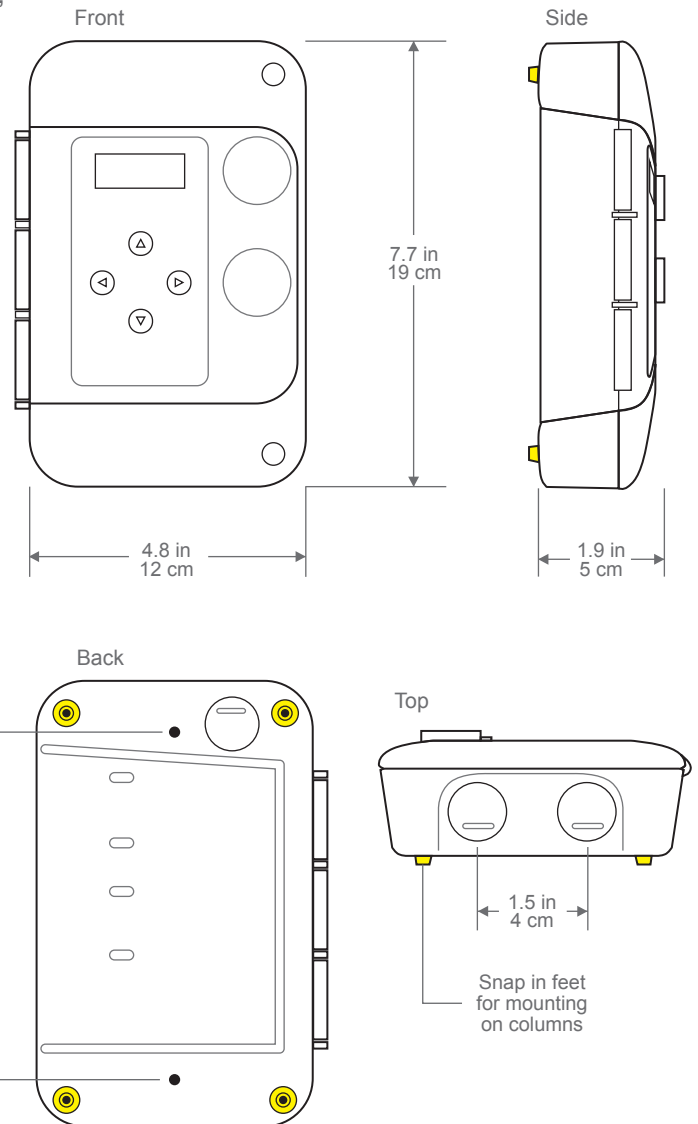
GAS DETECTOR

SPECIFICATIONS:

- Supply 24 vac 50/60 hz (17-28 vac) 0.21 amps, 5 va
- Operating temperature -20 °C to 50 °C (-4 °F to 122 °F)
- Operating humidity 15-90% R4, non condensing
- For indoor use
- Flame resistant Polycarbonate ABS enclosure rated UL94, V0, 5VB, and 5VA
- Relays (1 or 2) SPDT, 5 amp @ 125 vac, non-inductive
 - On delay; 0-999 seconds (16 minutes)
 - Off delay; 0-999 seconds (16 minutes)
- Standards; Conforms to UL61010-1, CSA C22.2 61010-1-12, ANSI/ISA 61010-1, CSA C22.2 no. 205-12
- Analogue outputs 4-20 ma or 2-10v (model 6000-A)
- Dimensions; 7.7 in. (19 cm) high, 4.8 in. (12 cm) wide, 1.9 in. (5 cm) deep.
- Weight ; 420 grams, 0.93 lb
- Enclosure ABS UL-94-V0, UL-94 - 5VA, Nema 4
- Electrical conduit entries; 0.875 inch, two on top, two on bottom one in rear
- Diffusion type sampling

USER INTERFACE:

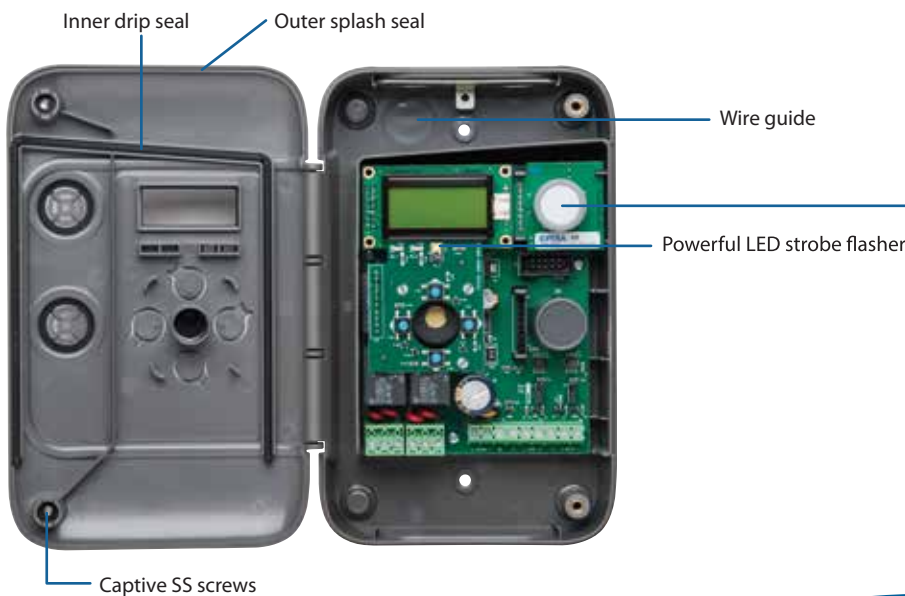
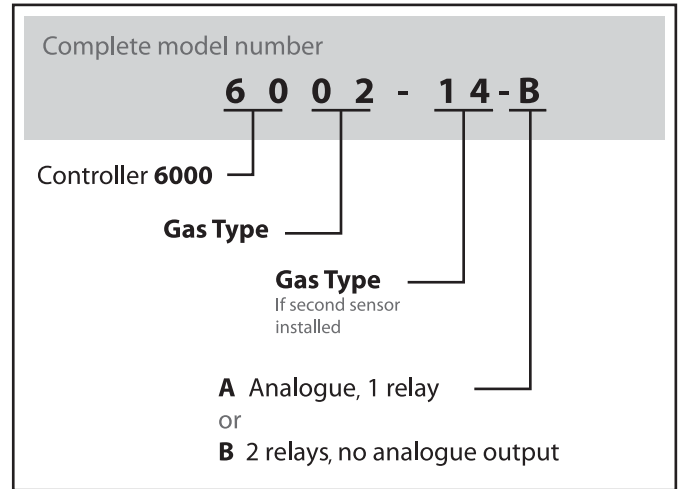
- Back lit LCD display shows gas concentration, user settings, calibration controls
- Red LED alarm indicators, level 1 and 2
- High intensity white LED strobe on level 3
- Audible alarm, 85 db at 1 meter
- 4 pushbutton user keypad
- Password control for settings



SELECTION GUIDE

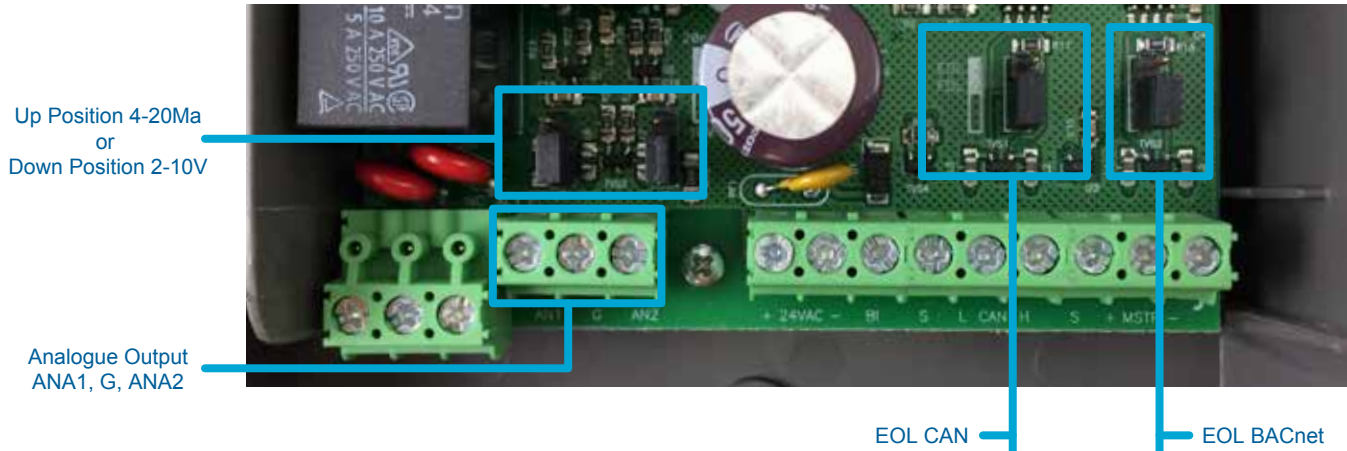
		Gas Type	Range
Ammonia	NH ₃	04	0-250 ppm
Argon	Ar	23	0-50% O ₂
Butane	C ₄ H ₁₀	05	0-50% LEL
Carbon Dioxide	CO ₂	15	0-2000 ppm
Carbon Dioxide	CO ₂	15	0-5000 ppm
Carbon Monoxide	CO	02	0-100 ppm
Carbon Monoxide	CO	02-250	0-250 ppm
Carbon Monoxide	CO	02-H2nil	0-250
Chlorine	CL ₂	17	0-10 ppm
Ethylene glycol	C ₂ H ₄ (OH) ₂	01	0-1000 ppm
Ethanol	C ₂ H ₅ OH	01	0-1000 ppm
HCFCs		13	
HFCs		20	
Helium (O ₂ depletion)	He	23	0-50% O ₂
Humidity (relative)	H ₂ O	25	0-100% RH
Hydrogen	H ₂	08	0-50% LEL
Hydrogen sulfide	H ₂ S	16	0-50 ppm
Iso-butane	C ₄ H ₁₀	05	0-50% LEL
Iso-propyl Alcohol	C ₃ H ₇ OH	01	0-1000 ppm
Methane	CH ₄	05	0-50% LEL
Methanol	CH ₃ OH	01	0-1000 ppm
Nitrogen (oxygen depletion)	N ₂	23	0-50% O ₂
Nitrogen dioxide	NO ₂	14	0-10 ppm
Organic Vapors	VOCs	01	0-1000 ppm
Oxygen	O ₂	22	0-50% O ₂
Propane	C ₃ H ₈	06	0-50 % LEL

Example:



CONNECTIONS

Model 6000-A



Model 6000-B

